



ecosmart[®]
STATION
ATL

▲ WARNING



▲ WARNING



ecosmart[®]
STATION



Lift Station Control Panel

ECO SMART STATION® ATL

Control Panel with Across The Line Starters

The **ECO SMART STATION® ATL** is a pre-engineered duplex control panel designed specifically for municipal lift station applications. Housed in the innovative multiple compartment **ARC ARMOR®** post mount enclosure, the **ECO SMART STATION® ATL** features:

- Energy View® controller
- Flow measurement
- Level transducer with 2 float backup
- Pump monitoring relays (seal fail and over temperature)
- NEMA rated starters
- Electronic overload protection
- Current monitoring and trending
- Lightning arrestor
- Terminal blocks

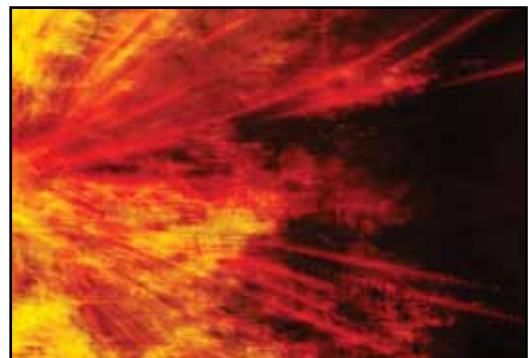
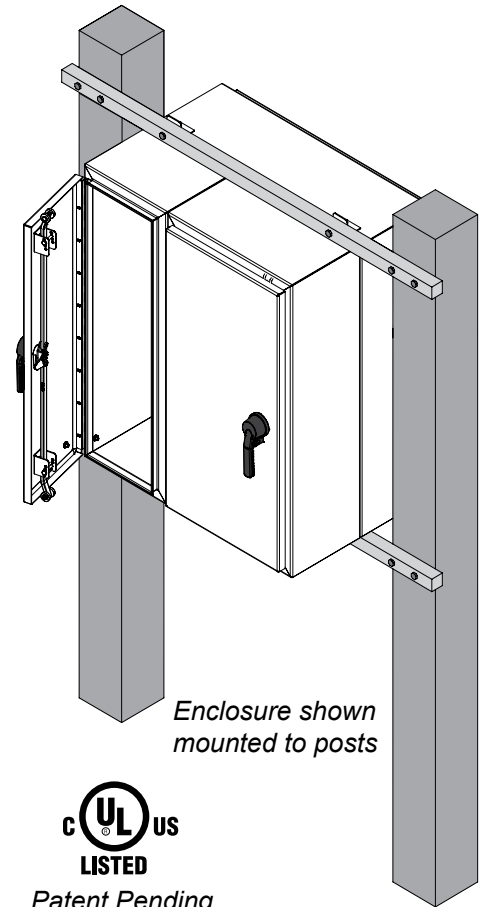
Arc Flash

An Arc Flash incident in a control panel is an electrical explosion that can occur when there is an uncontrolled conduction of electrical current to ground or another phase. An Arc Flash occurs very rapidly and produces intense heat and energy that can harm personnel and destroy equipment.

With 5-10 arc flash incidents occurring per day, arc flash is a leading cause of death and burn accidents for maintenance staff when servicing electrical control panels in North America today. Onsite damages caused by an arc flash incident include: OSHA citations or fines, down time, loss of revenue and equipment damage. In worst case scenarios, arc flash may result in long term disability or even death, thereby having a significant impact on the liability of the municipality.

Arc flash events usually occur in less than 0.2 seconds, and can create:

- Intense heat
- Thermo-acoustic shock wave
- Molten metal
- Hot shrapnel that can pierce a body
- Blinding light
- Toxic smoke
- Contact with energized components





The **ECO SMART STATION® ATL** is housed in the innovative, multiple compartment **ARC ARMOR® post mount enclosure**, reducing the risk of injury resulting from electric shock and exposure to arc flash. The control and power circuitry are isolated in separate compartments, preventing unnecessary operator exposure to high energy circuits and potential arc flash conditions.

Zone 1 - Service Compartment

Danger Zone: This zone contains the most dangerous arc flash potential and risk of electrical shock. Workers may require Personal Protective Equipment (PPE) when entering. “Lockout/Tagout” is supported.

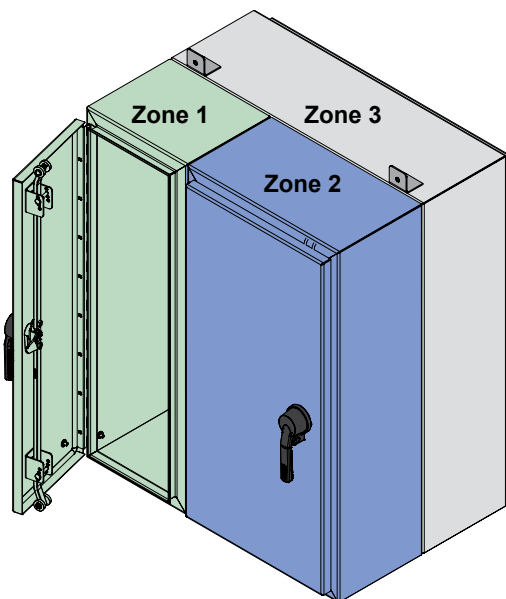
Zone 2 - MCC Compartment

Danger Zone: When Zone 1 is energized, workers cannot gain access to Zone 2, thereby reducing accidental exposure to arc flash. There is visual indication when power is present in Zone 2. “Tagout/Lockout” is also supported.

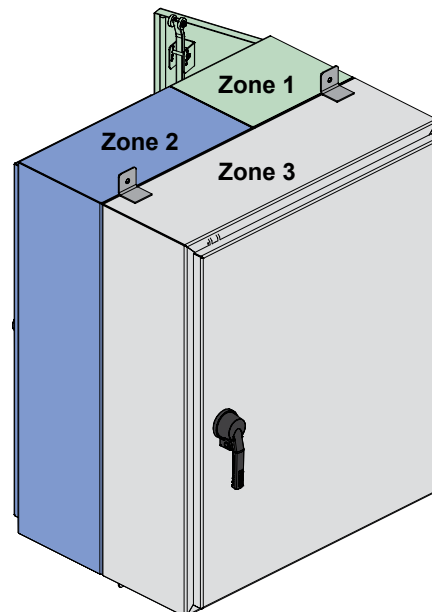
Zone 3 - Controls Compartment

Operator Safety Zone: Zone 3 contains low voltage circuits only (120 VAC or lower). Minimal PPE is required.

For more information on the **ARC ARMOR® post mount enclosure**, visit www.ArcArmorEnclosure.com.



Front View



Back View



Controller Overview

The **Energy View® Controller** is powered by **kW Logix® Software**. The color touch screen HMI has the ability to provide level control, pump alternation, flow monitoring, data logging, alarm logging, historical trending and comes equipped with an SD memory card for data storage and download. It can connect through multiple communication streams for remote monitoring and control.



Main Screen

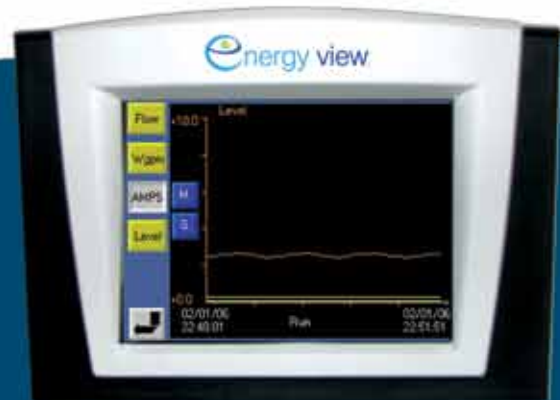
Features:

- 6 inch, color touch screen
- LED backlit, sunlight readable
- Intuitive menu navigation
- Simple setup and operation
- Continuous level monitoring
- Flow monitoring (with or without a flow meter)
- Automatic alternation
- Pump over temperature and seal fail monitoring
- Password protection
- Data logging on SD memory card
- Intelligent motor protection relay
 - Modbus communication
 - Motor current monitoring and trending
 - High and low current alarms
 - Pump dry run protection

** kW Logix® is patent pending*



Level Setup



Live Trends

Simple

The HMI display is very easy to use, intuitive and easy to read in various weather and light conditions, including direct sunlight.

Control and Power Options:

- Battery backup
- Reduced voltage solid state starter (RVSS)
- Intrinsically safe barriers for transducer and backup float switches
- Manual transfer switch with generator inlet

Communication Options:

- **I-LINK®** web-based monitoring system
- GSM/GPRS cellular modem communication, including:
 - SMS messaging
 - Remote access
- Dial-up modem (Sixnet)
- Protocol converter Red Lion DSPLE
- Auto dialer



Flow Setup

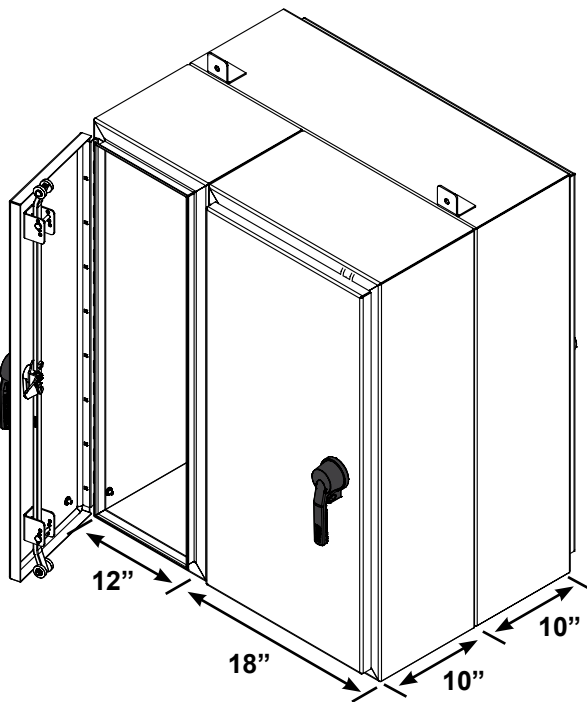


Sensor Setup

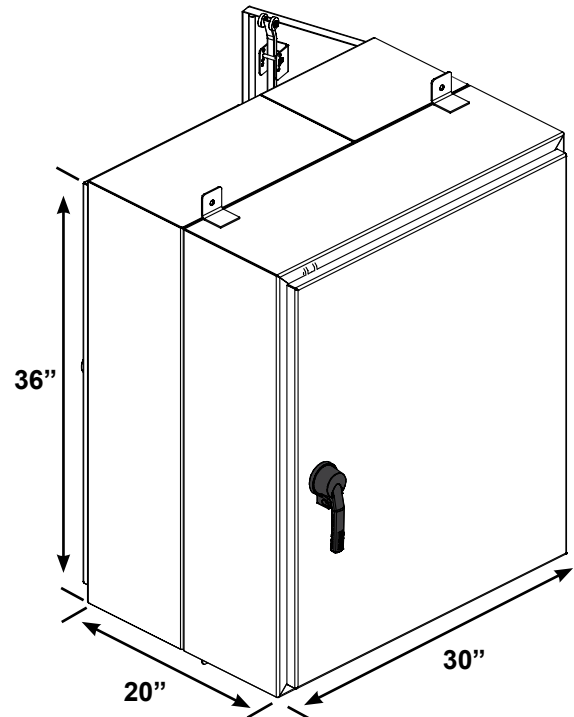
ECO SMART STATION® ATL

Enclosure Overview

Overall Dimensions: 36”H x 30”W x 20”D



*Service and MCC Compartments
Front View*



*Controls Compartment
Back View*

	Height	Width	Depth
Service Compartment	36 inches	12 inches	10 inches
Controls Compartment	36 inches	18 inches	10 inches
MCC Compartment	36 inches	30 inches	10 inches

ECO SMART STATION® ATL

Ordering Information

Part Number	Input Voltage*	Maximum Motor Amps**	Nominal Motor HP***
3 Phase, 200V Class			
ECO-ATL-200-S1 (NEMA size 1 starters)	200-208V, 3ph	27	7.5
ECO-ATL-200-S2 (NEMA size 2 starters)	200-208V, 3ph	45	10
ECO-ATL-200-S3 (NEMA size 3 starters)	200-208V, 3ph	90	25
3 Phase, 230V Class			
ECO-ATL-230-S1 (NEMA size 1 starters)	230-240V, 3ph	27	7.5
ECO-ATL-230-S2 (NEMA size 2 starters)	230-240V, 3ph	45	15
ECO-ATL-230-S3 (NEMA size 3 starters)	230-240V, 3ph	90	30
3 Phase, 460V Class			
ECO-ATL-460-S1 (NEMA size 1 starters)	460-480V, 3ph	27	10
ECO-ATL-460-S2 (NEMA size 2 starters)	460-480V, 3ph	45	25
ECO-ATL-460-S3 (NEMA size 3 starters)	460-480V, 3ph	90	50
3 Phase, 575V Class			
ECO-ATL-575-S1 (NEMA size 1 starters)	575-600V, 3ph	27	10
ECO-ATL-575-S2 (NEMA size 2 starters)	575-600V, 3ph	45	25
ECO-ATL-575-S3 (NEMA size 3 starters)	575-600V, 3ph	90	50

Single phase capacitor start models available upon request.

***Input Voltage:** Match to pump motor nameplate voltage to input voltage and available incoming power at panel site.

****Maximum Motor Amps:** Motor nameplate Full Load Amps (FLA) must not exceed this value.

*****Nominal HP:** Based on NEMA B 4 pole motor design. Use for indication only. Actual motor nameplate Full Load Amps (FLA) must be used for selection.

Environmental: Elevation: Less than 3,000 ft. If 3,000 ft.>elevation>6,000 ft. de-rate maximum amps by 15%. Rated for outdoor air temperature: 0°F<Temp.<104°F. If Temp. <0°F add MCC heater option.

ecosmart[®] STATION ATL

Visit EcoSmartPanel.com for more information. We are proud members of these national industry associations:



WWW.PRIMEXCONTROLS.COM

Ashland, OH

800-363-5842

Clearwater, FL

800-349-1905

Detroit Lakes, MN

888-342-5753

Milford, OH

513-831-9959