

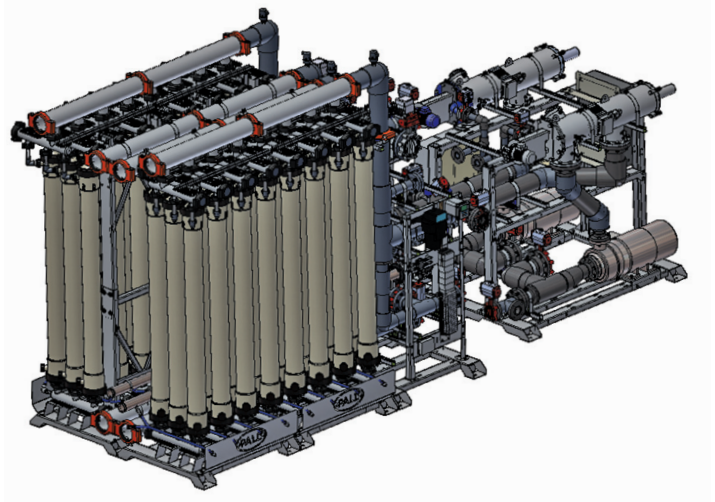
Description

The Pall Aria™ FIT system illustrates an innovative approach to packaged water systems, featuring a flexible design that is easily tailored for customers' specific requirements. Systems are pre-assembled and shipped to site for easy and efficient installation, and years of trouble-free operation. With the proven reliability of the Pall Aria™ platform, you can trust Pall to treat all your surface water, groundwater, wastewater, and re-use water. Pall is a global leader in filtration, separation, and purification technologies. Pall Aria™ systems are engineered to eliminate contaminants and deliver pure water for drinking, industrial processes, discharge, and other vital uses.

The Pall Aria™ FIT's build in flexibility allows for multiple system configurations tailoring to a broad range of applications. The highly configurable design allows for custom component selection for end-users' specific requirements.

Features

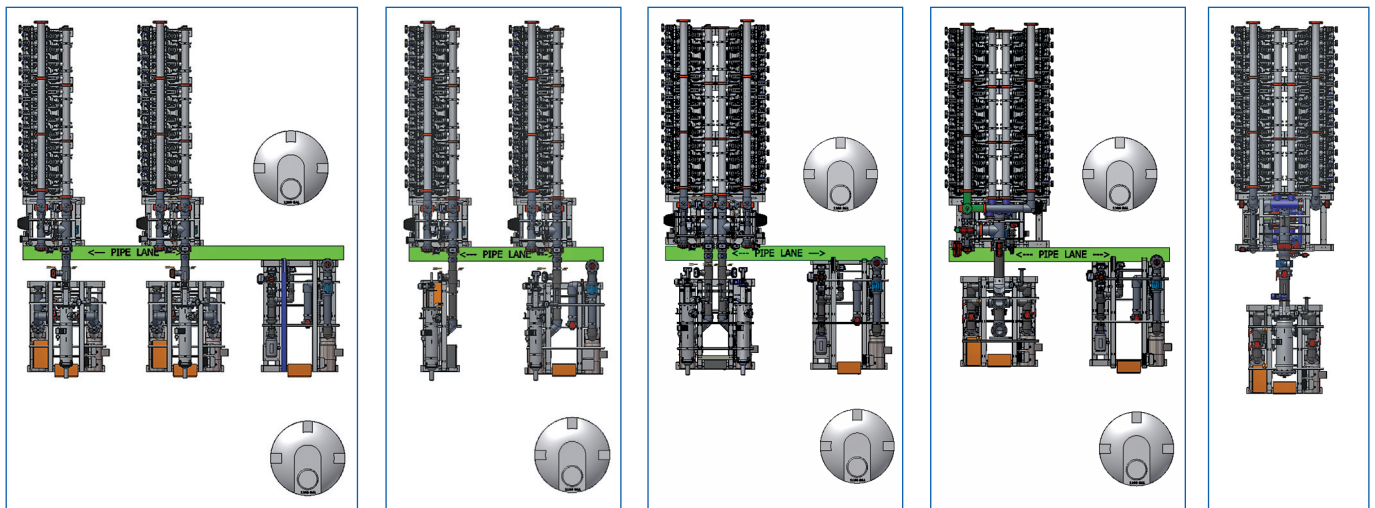
- Modular, small-footprint design
- Intuitive interface, simple operation
- Reliable, high-recovery filtration
- Ease of expandability with hardware and software design



Benefits

- Flexibility with modular sub system components easily configured to optimize scope, footprint and ease of expandability.
- Intelligent, intuitive operator interface with improved diagnostics to ensure optimal system performance for experienced or first-time users.
- Trusted, reliable, fully assembled, factory-tested pre-packaged system components for trouble-free installation.

Multiple System Configurations to Meet Customer Needs



Example system configurations, all producing same production capacity of 1500 gpm (1.8 MGD).

System Specifications

Pall Aria™ FIT series units are available in 10 to 120 modules per skid configurations and can produce from 0.2 to 5.0+ MGD of high-quality water.

- Maximum Inlet Pressure 45 psig [3 bar] Standard, (60 psig [4 bar] optional with component selections)
- Maximum Operating Temperature 104° F [40° C]
- Utilities: 460 VAC/3P/60Hz

Table 1: Model Specifications

| Model | Maximum Number of Modules | Instantaneous Peak Flow (gpm) | Approximate Daily Production Volume (MGD) |
|-------|---------------------------|-------------------------------|-------------------------------------------|
| FIT-3 | 18 | 240 | 0.2 - 0.3 |
| FIT-4 | 26 | 400 | 0.4 - 0.5 |
| FIT-6 | 60 | 820 | 0.9 - 1.0 |
| FIT-8 | 120 | 1560 | 1.8 - 2.0 |

Pall Membrane Description

Pall Aria™ FIT systems use uniquely designed Microza* membrane modules in a hollow fiber configuration to remove the following contaminants from surface and ground water sources:



Table 2: Pall Membrane Microbial and Particulate Removal

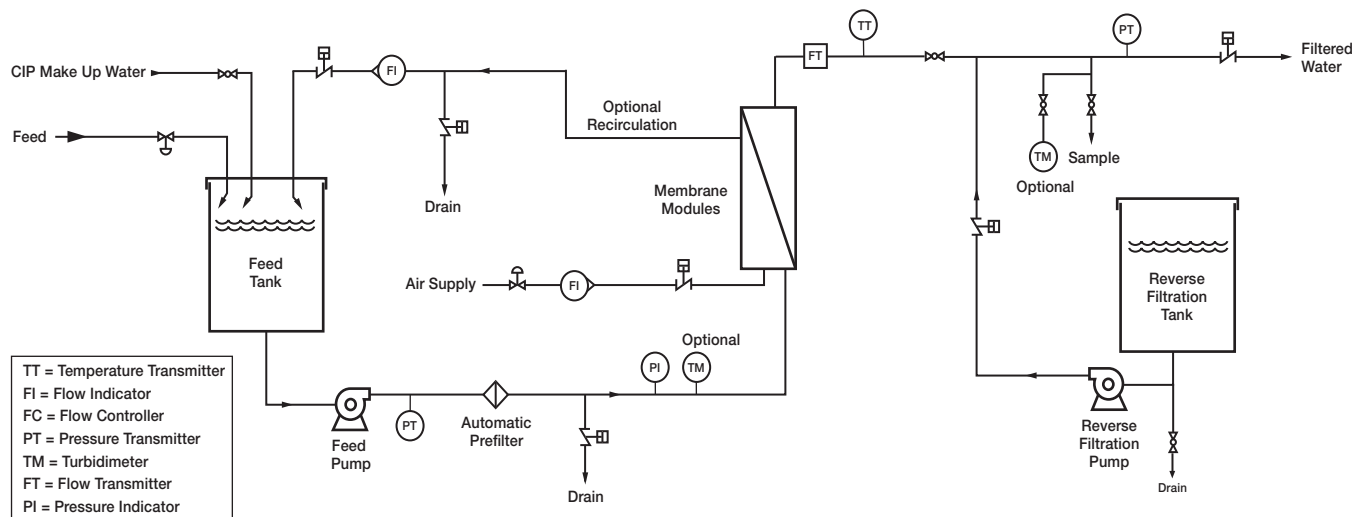
| Contaminants | Typical Removal ¹ |
|--------------------------------|------------------------------|
| <i>Giardia</i> | > 6 log |
| <i>Cryptosporidium</i> | > 6 log |
| MS2 coliphage or bacteriophage | 0.5 - 3 log |
| Turbidity | < 0.1 NTU |

¹ Based on third party testing

* Microza is a trademark of Asahi Kasei Corporation

Each 0.1µm hollow fiber module provides high active surface area (538 ft² - 50 m²). The hollow fiber modules in the Pall Aria™ system are highly permeable, resulting in high water production rates.

Process Flow Diagram for the Pall Aria™ FIT Series Water Treatment System



201 Lincoln Boulevard
Middlesex, NJ 08846
(732) 469-4540

www.psiprocess.com

Employee Owned



Pall Corporation

Process Systems

25 Harbor Park Drive
Port Washington, NY 11050
+1 516 484 3600 telephone
+1 888 428 5597 toll free US

Filtration. Separation. Solution.SM

Visit us on the Web at www.pall.com

Pall Corporation has offices and plants throughout the world. For Pall representatives in your area, please go to www.pall.com/contact.

Please contact Pall Corporation to verify that the product conforms to your national legislation and/or regional regulatory requirements for water and food contact use.

Because of technological developments related to the products, systems, and/or services described herein, the data and procedures are subject to change without notice. Please consult your Pall representative or visit www.pall.com to verify that this information remains valid.

© Copyright 2014, Pall Corporation. Pall, , and Pall Aria are trademarks of Pall Corporation. ® indicates a trademark registered in the USA. *Filtration. Separation. Solution.SM* is a service mark of Pall Corporation.

Produced in the USA

October 2014